

YHM2512

Dual Output Load Switch with Reverse Current Blocking

Features

- Low Input Voltage: 1.6V to 5.5V
- Enable and Disable Switches with EN pins.
 - YHM2512: Active Low.
 - YHM2512A: Active High.
- 24uA Supply Current
- 500nA Shutdown Current
- Ultra-Low On-State Resistance (R_{ON})
 - $R_{ON} = 100m\Omega$ at $V_{IN} = 5.0V$
- 2A Maximum Total Continuous Current
- Quick Output Discharge
- Reverse Current Blocking for both channels.
- Tiny 0.67mm x 1.02mm 6-pin WLP with 0.35mm pitch

General Description

YHM2512 is a dual output, ultra-small, low R_{ON} and active low (or High, A Version) load switch. The device contains two N-channel MOSFETs that operate over an input voltage range of 1.6V to 5.5V. The switch is controlled by EN pins.

YHM2512 device has hard short protection for some abnormal situation at OUTx pins.

An internal reverse voltage comparator disables the power switch when the output voltage is driven higher than the input to protect devices on the input side of the switch.

YHM2512 is available in a 6-bump, 0.35mm pitch, 0.67mm x 1.02mm wafer-level package (WLP).

Applications

- Wearables
- Smartphones
- Tablets
- Portable Device

Internal Block diagram

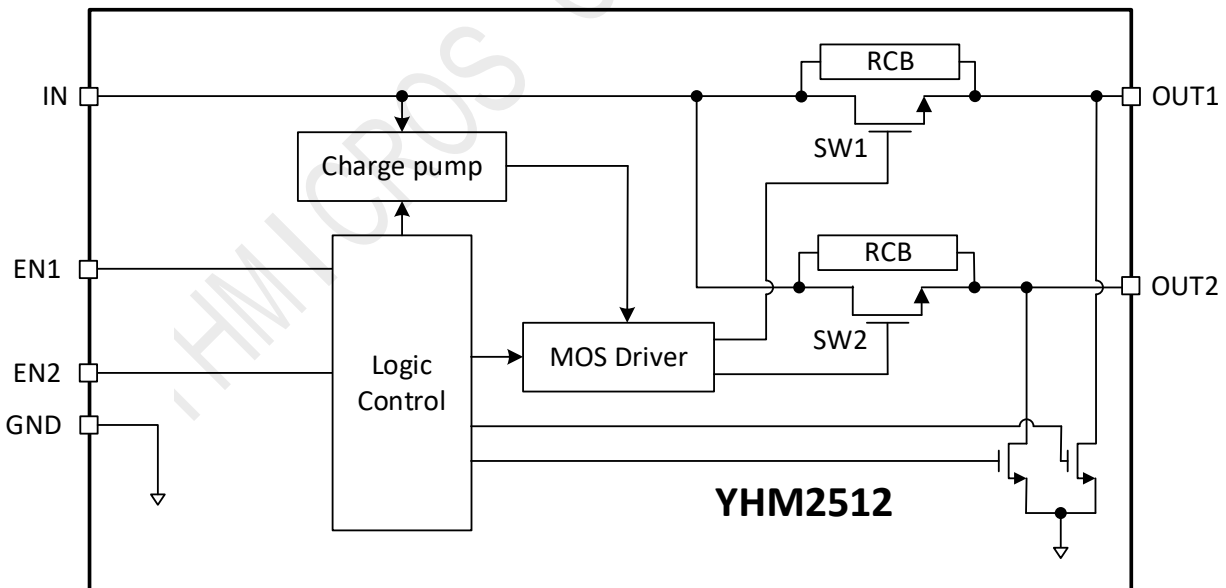


Figure 1. YHM2512 Internal Block Diagram

Dual Output Load Switch with Reverse Current Blocking

Pin Configurations

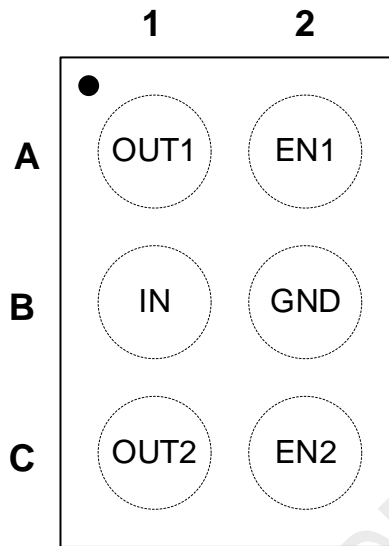


Figure 2. YHM2512 WLP-6 Pin Assignment (Top Through View)

YHM2512 WLP Pin Descriptions

WLP	Name	Description
A1	OUT1	Output 1. Internal pull down to GND when switch off.
B1	IN	Input and Power Supply. Bypass this input with 1 μ F or greater ceramic capacitor to ground.
C1	OUT2	Output 2. Internal pull down to GND when switch off.
A2	EN1	Enable control for output 1. <ul style="list-style-type: none"> • EN1 = 0 close for YHM2512. • EN1 = 1 close for YHM2512A.
B2	GND	Ground.
C2	EN2	Enable control for output 2. <ul style="list-style-type: none"> • EN1 = 0 close for YHM2512. • EN1 = 1 close for YHM2512A.

Dual Output Load Switch with Reverse Current Blocking

1 Absolute Maximum Ratings

Stresses exceeding the absolute maximum ratings may damage the device. The device may not function or be operable above the recommended operating conditions and stressing the parts to these levels is not recommended. In addition, extended exposure to stresses above the recommended operating conditions may affect device reliability. The absolute maximum ratings are stress ratings only.

Disclaimer: YHMICROS reserves the right to make any change in circuit design, specification or other related things if needed without notice at any time.

Symbol	Parameters	Min.	Max.	Unit
V_{IN}	IN to GND	-0.3	6	V
V_{OUT}	OUT1/2 to GND	-0.3	6	V
V_{EN}	EN1/2 to GND	-0.3	6	V
I_{OUT}	Continuous Output Current for each output		1500	mA
I_{IN}	Continuous Input Current		2500	mA
T_{STG}	Storage Junction Temperature	-65	+150	°C
T_J	Operating Junction Temperature		+150	°C
T_L	Lead Temperature (Soldering, 10 Seconds)		+260	°C
All Pins	Electrostatic Discharge Capability	Human Body Model, EIA/JESD22-A114	5	KV
		Charged Device Model, JESD22-C101	2	

2 Recommend Operation Range

The Recommended Operating Conditions table defines the conditions for actual device operation. Recommended operating conditions are specified to ensure optimal performance.

Parameters	Min.	Max.	Unit
Input Voltage: V_{IN}	1.6	5.5	V
Peak Output Current: $I_{OUT1/2}$		1.2	A
Ambient Temperature Range	-40	85	°C

3 Electrical Characteristics

Condition: $V_{IN} = 1.8V$, $T_A = -40^{\circ}C$ to $+85^{\circ}C$. Typical values are at $T_A = +25^{\circ}C$, unless otherwise noted. (Note 1)

PARAMETER	SYMBOL	CONDITIONS	MIN	TYP	MAX	UNITS
Input Voltage Range	V_{IN}		1.6		5.5	V
Quiescent Supply Current	I_{IN}	$T_A = 25^{\circ}C$, $I_{OUT} = 0$		16		μA
Shutdown Current	I_{SHDN}	$V_{EN} = 1.2V$ or $0V$ (A version), $V_{OUT} = 0$		0.1	1.5	μA
IN UVLO Threshold	V_{UVLO}	V_{IN} rising		1.5		V
IN UVLO Hysteresis	V_{UVLO_HYS}			100		mV
EN Logic High Threshold	V_{IH}		0.92			V
EN Logic Low Threshold	V_{IL}				0.4	V
Output Pull-Down Resistance	R_{PD}	$V_{IN} = 1.8V$, $V_{EN} = 1.2V$ or $0V$ (A version), $I_{OUT} = 0$			500	Ω
Output One Shot Pull-Down Time	t_{PD}			20		ms
On Resistance	R_{ON}	$V_{IN} = 5V$, $I_{OUT} = 200mA$		100		m Ω

Dual Output Load Switch with Reverse Current Blocking

PARAMETER	SYMBOL	CONDITIONS	MIN	TYP	MAX	UNITS
RCB Active Voltage	V_{RCB}	$V_{OUT} - V_{IN}$		20		mV
RCB Activation Time	t_{RCB}			400		μs
Short Protection Response Time(Note 2)	t_{ACT}			1		μs
Short Protection Active Time(Note 2)	t_{SHORT}			20		μs
Short Protection Recover Time(Note 2)	t_{REC}			100		ms
Thermal Shutdown	T_{SHDN}			150		$^{\circ}C$
Thermal Hysteresis	T_{HYS}			20		$^{\circ}C$
SWITCHING SPECIFICATIONS						
(C _{Load} = 0.1 μ F, R _{Load} = 10 Ω . Ta = 25 $^{\circ}C$ All timing is 10% to 90% for rise time and 90% to 10% for fall time).						
Turn On Delay Time	t_{DELAY}	Time from $V_{EN} < V_{IL}$ or $V_{EN} > V_{IH}$ (A version) to $V_{OUT} = 0.1 \times V_{IN}$		500		μs
Soft Start Time (Rise Time)	t_{SS}			3		ms
Turn Off Delay Time	t_{OFF}	Time from $V_{EN} > V_{IH}$ or $V_{EN} < V_{IL}$ (A version) to $V_{OUT} = 0.9 \times V_{IN}$		40		μs
Fall Time	t_{FALL}			10		μs

Note 1: All specifications are 100% production tested at TA = +25 $^{\circ}C$, unless otherwise noted. Specifications are over TA = -40 $^{\circ}C$ to +85 $^{\circ}C$ are guaranteed by design.

Note 2: Guaranteed by design; not production test.

4 Description

4.1 General Introduction

The YHM2512 is a dual output, ultra-small, low R_{ON} and active low load switch. The device contains two N-channel MOSFETs that operate over an input voltage range of 1.6V to 5.5V. The total input current is 2A, and each channel supports 1A continuous current at the same time.

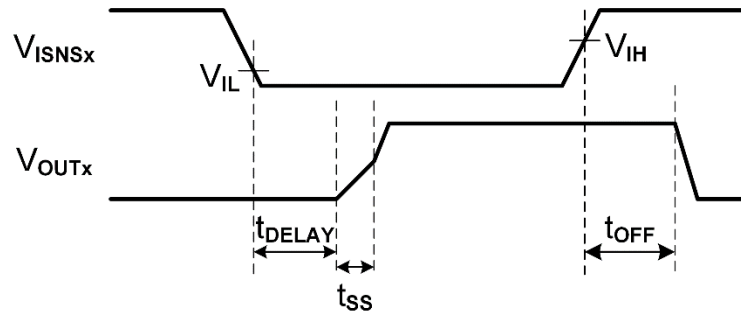
4.2 Switch Enable Control

When VIN rise above 1.9V, the switch statuses are following below table. SW1 and SW2 are controlled independently. turns on after a delay time with soft start function. Turn off the switch would enable quick output discharge function, which means a discharge resistor is connected between OUT and GND.

Version		Switch Status	
		YHM2512	YHM2512A
ENn	>V _{IH}	OFF	ON
	<V _{IL}	ON	OFF

Table 1. Switch Control

Dual Output Load Switch with Reverse Current Blocking



**Figure 3. YHM2512 Power Up and Power Down Sequence
(Active Low Version as an example)**

4.3 Soft Start (SS)

YHM2512 integrated soft start function to avoid large inrush current during switches change from OFF to ON period. Soft start time is about 500 μ s after delay time from EN goes low or high. The inrush current may be become large after this time if the output capacitor is too large.

4.4 Short Protection

YHM2512 has OUT1/2 short to GND protection. If the device detects the output current larger than I_{SHORT} when switch on, YHM2512 will regulate the corresponding switch current to a small one within a very short time (t_{ACT}) (typical: 1 μ s) and turn off switch after t_{SHORT} . (Typical: 20 μ s) This function is independent of current regulation. The device will try to close switch after t_{REC} (Typical 100ms) if the other conditions do not change. The SS period is added.

4.5 Reverse Current Protection

The reverse voltage protection turns off the N-channel MOSFET whenever the output voltage exceeds the input voltage by 20mV (TYP) for 400 μ s (TYP). This prevents damage to devices on the input side of the YHM2512. The YHM2512 device allows the N-channel MOSFET to turn on once the output voltage goes below the input voltage.

4.6 Thermal shutdown

When the part is in current regulation mode, to protect the chip from over temperature, the power path will be turned off when the junction temperature exceeds 150 $^{\circ}$ C. The power path switch will be turned on and enter SS status again when temperature drop below 130 $^{\circ}$ C. The device power dissipation capability is dependent on-board design and layout.

5 Application information

YHM2512 is designed to operate with an input range of 1.6V to 5.5V. The power supply must be well regulated and placed as close to the device terminal as possible. The power supply must be able to withstand all transient load current steps. In most situations, using an input capacitance (C_{IN}) of 1 μ F is sufficient to prevent the supply voltage from dipping when the switch is turned on. In cases where the power supply is slow to respond to a large transient current or large load current step, additional bulk capacitance may be required on the input. Placing a high-value electrolytic capacitor on the output pin is recommended when large transient currents are expected on the output.

Dual Output Load Switch with Reverse Current Blocking

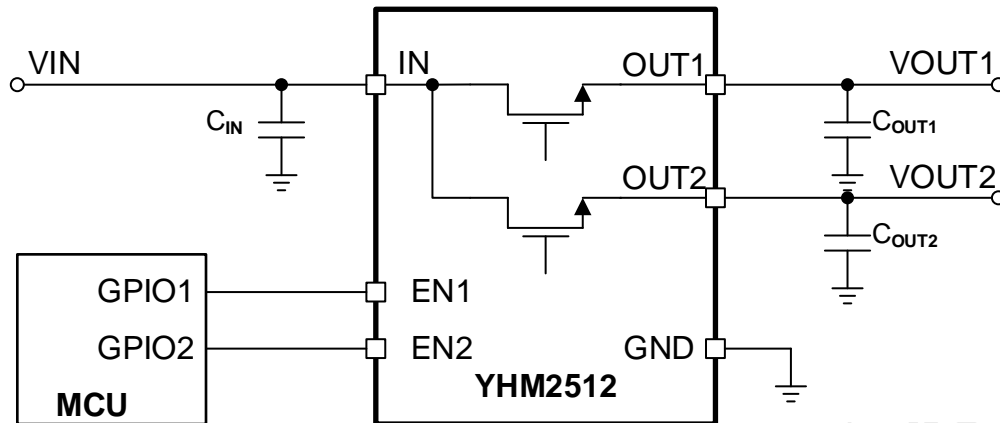


Figure 4. 1:2 Load Switch with Reverse Current Blocking.

In this application, two MCU GPIOs control SW1 and SW2 independently with table 1. The device does not control current which following through both switches. But output short to GND protection still works.

Please note output will be discharged when the switch is OFF. This action will be released after 20ms.

6 Parameter Measurement Information

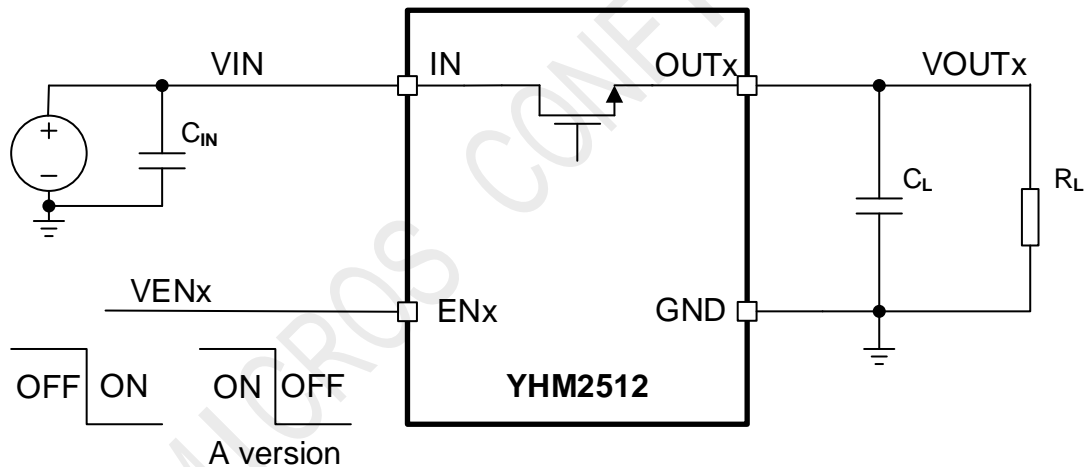
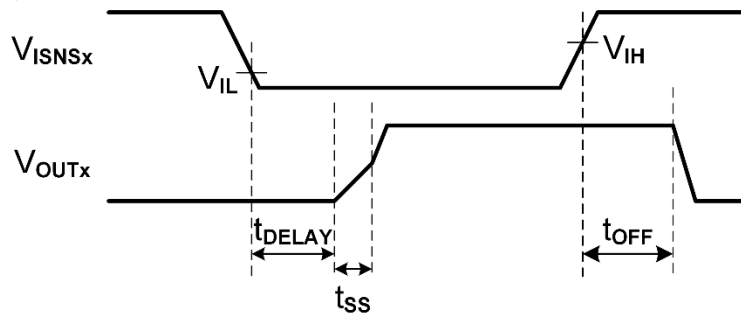


Figure 5. Test Circuit for Power Sequence (Active Low as an Example)



Dual Output Load Switch with Reverse Current Blocking

7 Typical Operating Characteristics

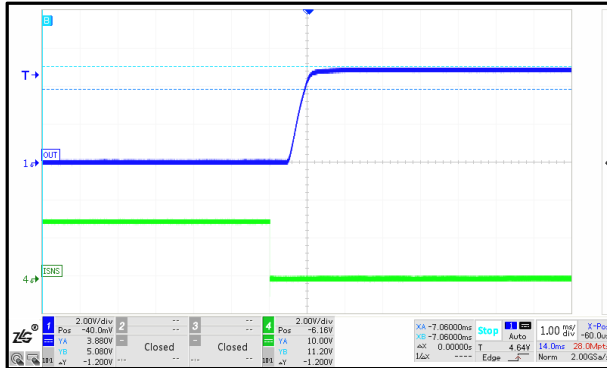


Figure 6 Switch Turn-on

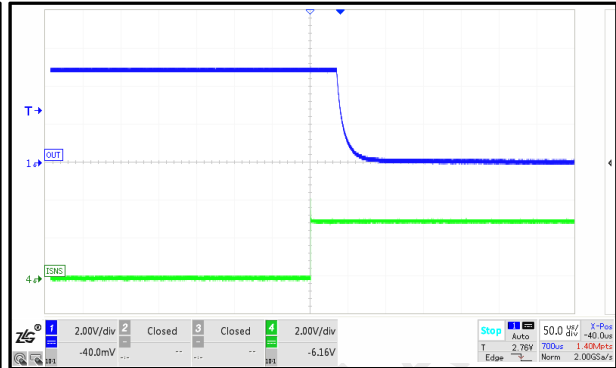


Figure 7 Switch Turn-off

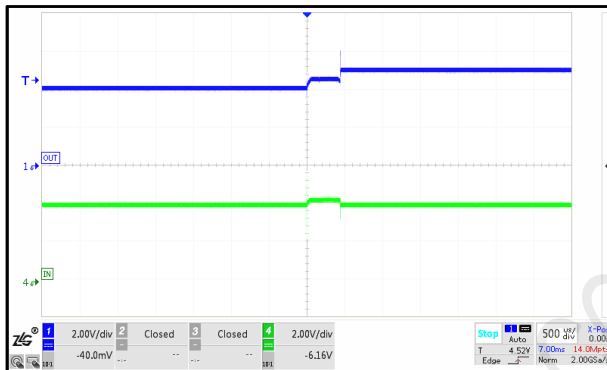


Figure 8 Single Channel RCB

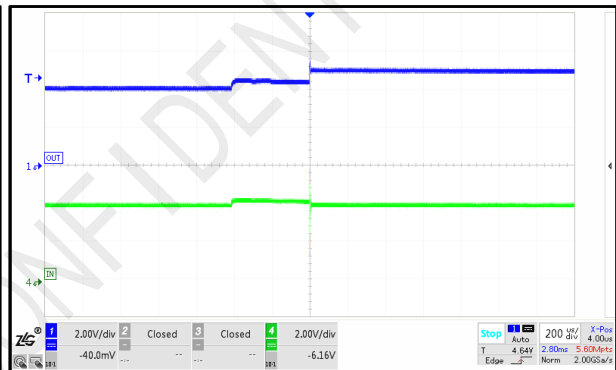


Figure 9 Dual Channel (Short together) RCB

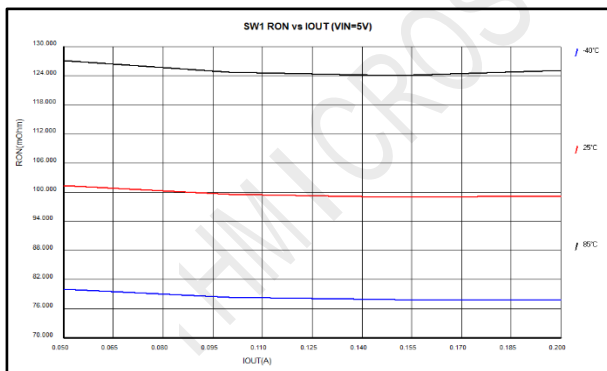


Figure 10 Switch 1 Rdson(VIN=5V)

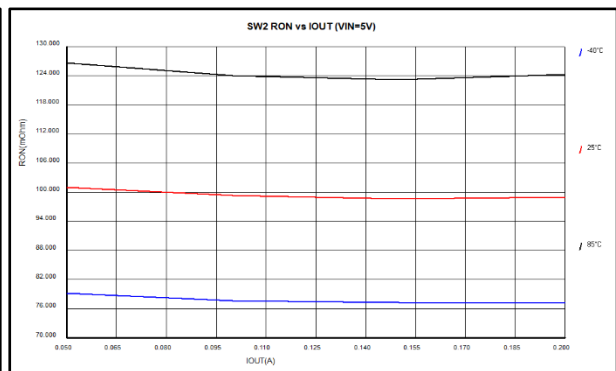


Figure 11 Switch 2 Rdson(VIN=5V)

Dual Output Load Switch with Reverse Current Blocking

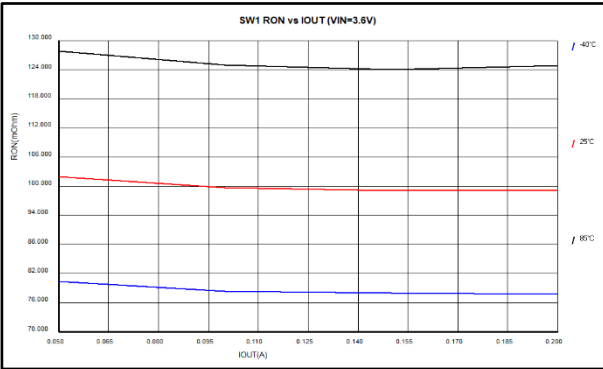


Figure 12 Switch 1 Rdson(VIN=3.6V)

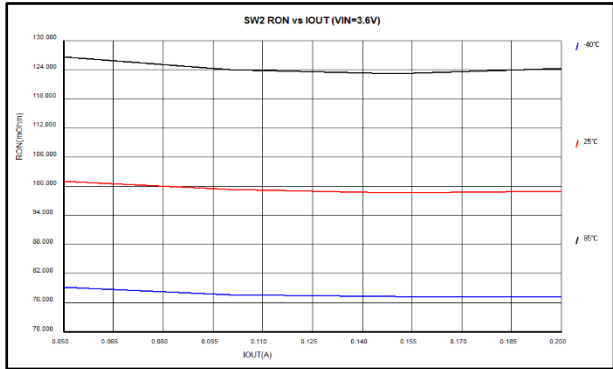


Figure 13 Switch 2 Rdson(VIN=3.6V)

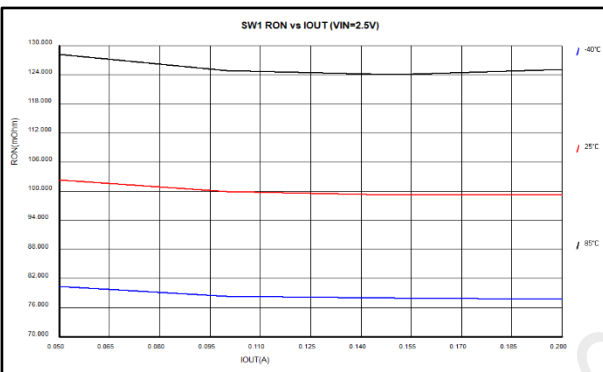


Figure 14 Switch 1 Rdson(VIN=2.5V)

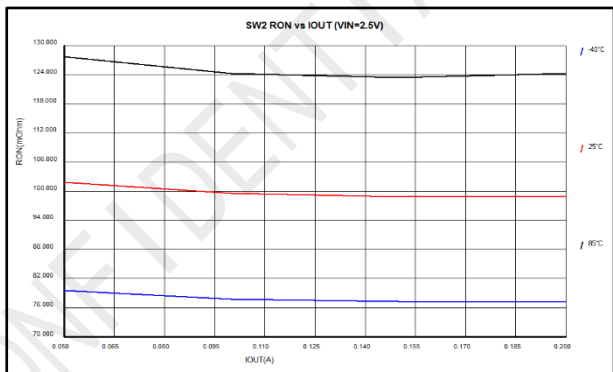


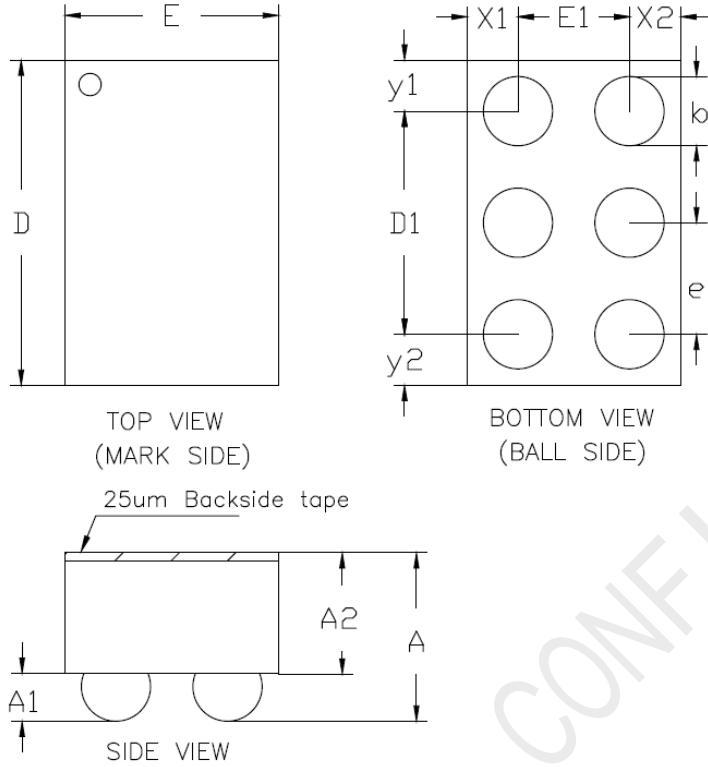
Figure 15 Switch 2 Rdson(VIN=2.5V)

YHM2512

Dual Output Load Switch with Reverse Current Blocking

8 Package Dimensions

WLCSP-6 0.67mmx1.02mm



COMMON DIMENSIONS
(UNITS OF MEASURE=MILLIMETER)

SYMBOL	MIN	NOM	MAX
A	0.483	0.528	0.573
A1	0.130	0.150	0.170
A2	0.353	0.378	0.403
D	1.000	1.020	1.040
D1		0.700BSC	
E	0.650	0.670	0.690
E1		0.350BSC	
b	0.200	0.220	0.240
e		0.350BSC	
x1		0.160 REF	
x2		0.160 REF	
y1		0.160 REF	
y2		0.160 REF	

YHM2512



Dual Output Load Switch with Reverse Current Blocking

9 Order Information

Part Number	Package	EN Control Logic	Top Mark (Note 1)	MOQ
YHM2512W6T	6 WLCSP	Active Low	xxxx	3000
YHM2512AW6T	6 WLCSP	Active High	xxxx	3000

Note 1: The x letters are Lot id and production date information.

YHMICROS CONFIDENTIAL

YHM2512



Dual Output Load Switch with Reverse Current Blocking

Datasheet Change History

Rev	Date	Changes
1.0	Aug/2023	Initial Version

YHMICROS CONFIDENTIAL